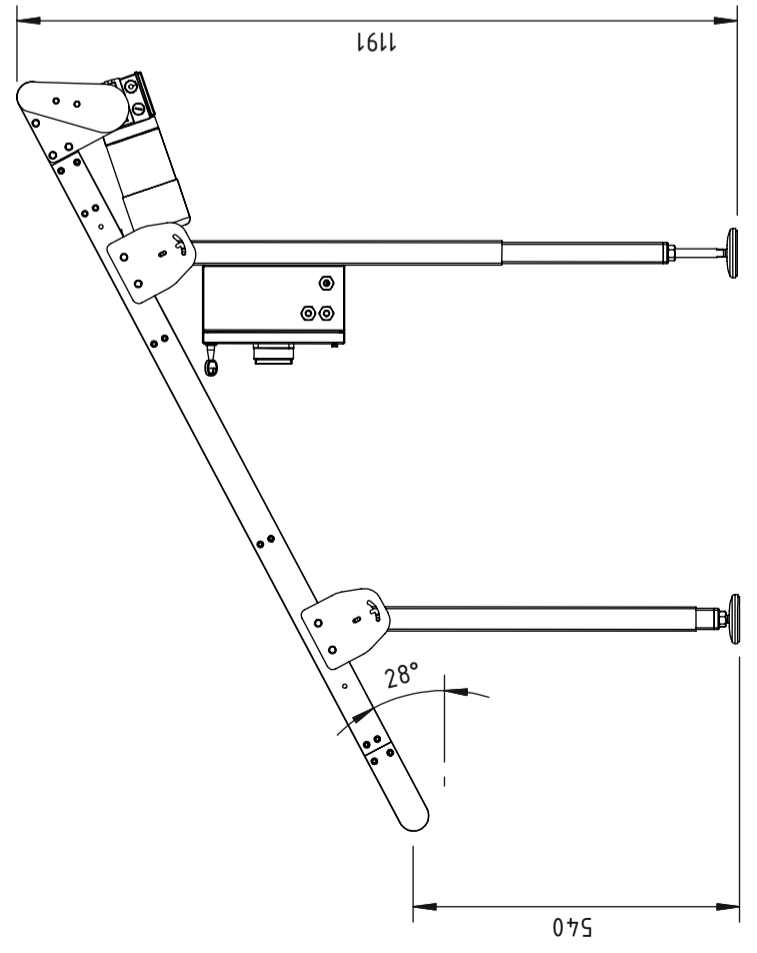
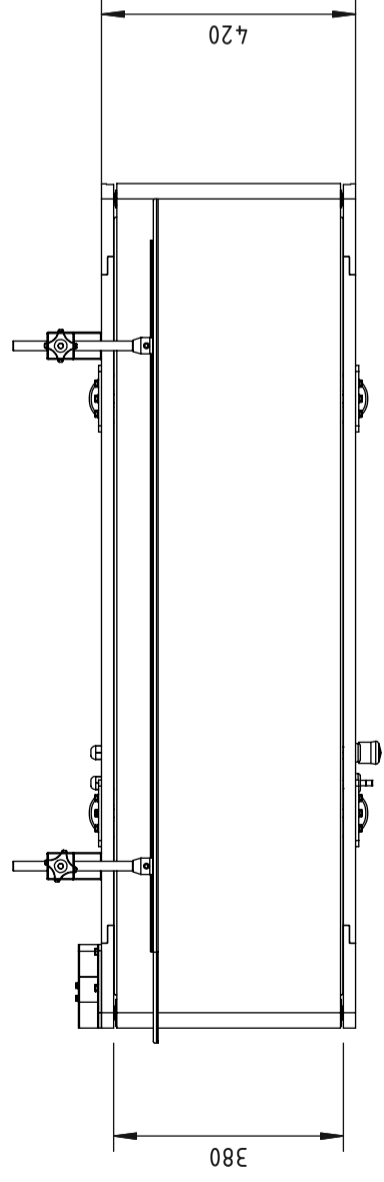
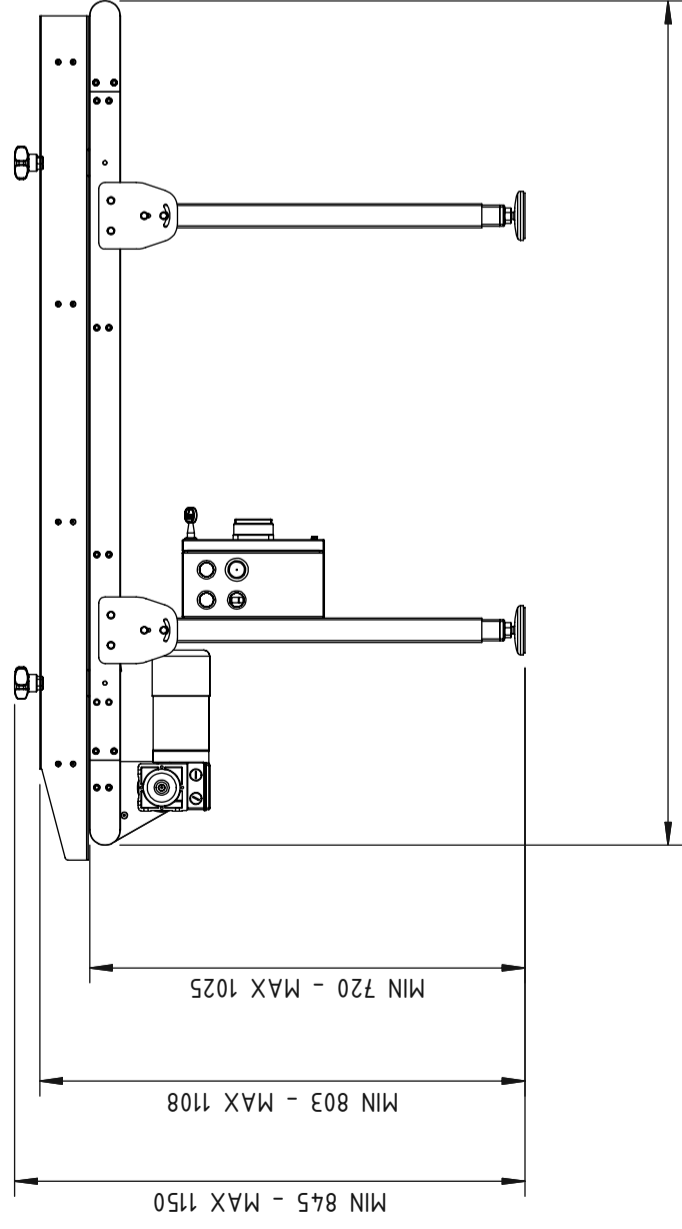




www.IMBALLAGGISERVICE.com



| | |
|-------------------------|----------------------------------|
| POWER SUPPLY | : 1PH+N+PE 200-240V 50-60Hz 0,5A |
| MACHINE INSTALLED POWER | : 180 W |
| SPEED | : 6.7-26,3 m/min |

| | |
|-----------------------|-----------|
| RLAZZARINI 18/04/2006 | A |
| AUTORE | DATA |
| CRONOLOGIA | REVISIONE |

| | | | | | | | |
|--|--|--|--|--|--|--|--|
| | | | | | | | |
| | | | | | | | |
| | | | | | | | |
| | | | | | | | |